

## T119C

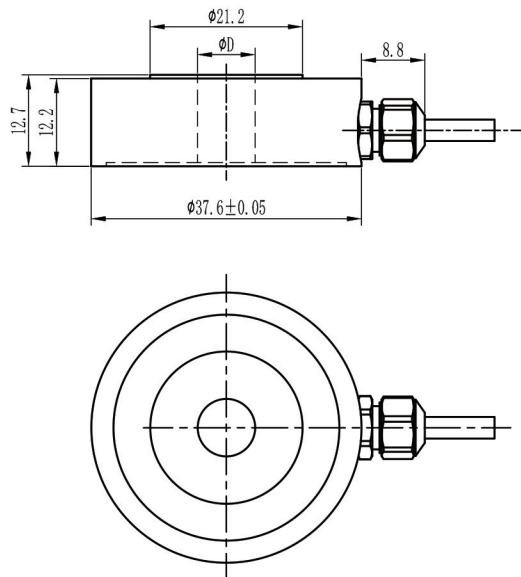


### ◆ 特点与用途/Features & Applications

- 外形尺寸小
- 不锈钢/合金钢材料
- 螺纹力的监测
- 汽车压装、自动化组装、3C产品测试、新能源产品组装、医疗检测、机器人领域，模具组装及其他工业测试、测量及控制系统

- Low profile, small deflection
- Made of stainless steel or Alloy steel
- Mainly used for monitoring of thread force
- Suitable for Automotive press fit, automated assembly, 3CS products testing, new energy product assembly, medical testing, robotics, mold assembly and other industrial testing and controlling system

### ◆ 安装尺寸/Mounting Dimension



Capacity (kN) 0.5, 1, 2, 5, 10, 20

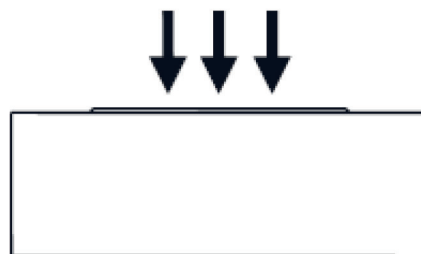
ΦD(mm) 4,5,7,8,9,11,13,15

注：内孔量程可自由匹配  
Note: The diameter of central hole could be freely matched with each capacity.

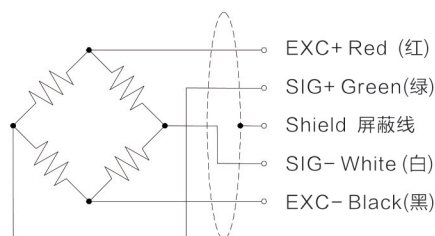
### ◆ 参数 Specifications 技术指标/Technique

| 参数         | Specifications         | 技术指标/Technique    |
|------------|------------------------|-------------------|
| 额定容量       | Capacity               | 0.5,1,2,5,10,20kN |
| 输出灵敏度      | Rated output           | 1.5 ± 10% mV/V    |
| 零点输出       | Zero balance           | ± 2% F.S.         |
| 非线性        | Non-linearity          | 0.2% F.S.         |
| 滞后         | Hysteresis             | 0.2% F.S.         |
| 重复性        | Repeatability          | 0.1% F.S.         |
| 蠕变 (30min) | Creep(30min)           | 0.2% F.S.         |
| 温度灵敏度漂移    | Temp.effect on output  | 0.1% F.S./10°C    |
| 零点温度漂移     | Temp.effect on zero    | 0.1% F.S./10°C    |
| 输入电阻       | Input impedance        | 780 ± 20 Ω        |
| 输出电阻       | Output impedance       | 700 ± 10 Ω        |
| 绝缘电阻       | Insulation             | ≥ 5000 MΩ/100VDC  |
| 激励电压       | Recommended excitation | 5V                |
| 最大激励电压     | Maximum excitation     | 15V               |
| 温度补偿范围     | Compensated temp range | -10 ~ 60°C        |
| 工作温度范围     | Operation temp range   | -20 ~ 80°C        |
| 安全超载       | Safe overload          | 150% F.S.         |
| 极限超载       | Ultimate overload      | 300% F.S.         |
| 电缆线尺寸      | Cable size             | φ4x4000mm(黑色电缆)   |
| 防护等级       | IP Class               | IP67              |

### ◆ 受力方式/Load Direction



### ◆ 配线图/ Wiring Code



新产品

压向传感器

拉压向传感器

压电力传感器

多维力传感器

称重传感器

张力传感器

螺纹力

扭矩传感器

其它定制力传感器

称重模块

仪表模块放大器