

## T311



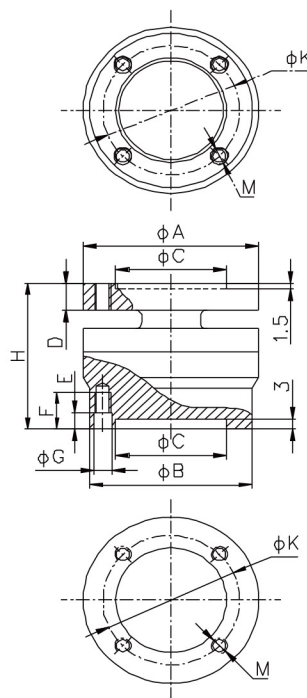
### ◆ 特点与用途/Features & Applications

- 变形量小，抗侧载能力强
  - 不锈钢材料
  - 压向力测量
  - 可用于工业打磨及抛光
  - 汽车压装、自动化组装、3C产品测试、新能源产品组装、医疗检测、机器人领域，模具组装及其他工业测试、测量及控制系统
  - 动态响应频率高
- Small deformation with strong ability of anti-side force
  - Made of stainless steel
  - Compression application
  - Can be used for industrial polishing and polishing
  - Mainly used for automotive press fit, automated assembly, 3C products testing, new energy product assembly, medical testing, robotics, mold assembly and other industrial testing and control system
  - High dynamic response frequency

### ◆ 参数 Specifications 技术指标/Technique

额定容量	Capacity	0.5,1,2,3,5,10,20,30,50,100kN
输出灵敏度	Sensitivity	1.5 ± 10% mV/V
零点输出	Zero balance	± 2% F.S.
非线性	Non-linearity	0.1% F.S.
滞后	Hysteresis	0.1% F.S.
重复性	Repeatability	0.05% F.S.
蠕变 (30min)	Creep(30min)	0.1% F.S.
温度灵敏度漂移	Temp.effect on output	0.05% F.S./10°C
零点温度漂移	Temp.effect on zero	0.05% F.S./10°C
输入电阻	Input impedance	780 ± 10 Ω
输出电阻	Output impedance	700 ± 5 Ω
绝缘电阻	Insulation	≥ 5000M Ω/100VDC
激励电压	Recommended excitation	5~15V
最大激励电压	Maximum excitation Voltage	20V
温度补偿范围	Compensated temp range	-10~60°C
工作温度范围	Operating temperature range	-20~80°C
安全载荷	Safe load limit	150% F.S.
破坏负载	Breaking load	300% F.S.
电缆线尺寸	Cable size	Φ4 × 3000mm
材料	Material	Stainless Steel (不锈钢)
防护等级	IP Class	IP68

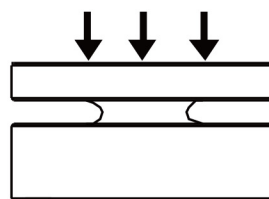
### ◆ 安装尺寸/Mounting Dimension



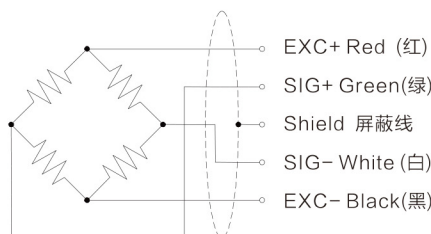
Cap ( kN )	A	B	C	D	E	F
0.5,1,2,3,5,10	54	50	34	8.5	5	13
20,30,50,100	95	90	55	15	5.5	20

Cap ( kN )	G	H	K	M	Weight
0.5,1,2,3,5,10	5.5	47	42	8-M5	0.8kg
20,30,50,100	11	72	70	16-M10	2kg

### ◆ 受力方式/Load Direction



### ◆ 配线图/ Wiring Code



新产品

压向传感器

拉压向传感器

压电力传感器

多维力传感器

称重传感器

张力传感器

螺旋力

扭矩传感器

其它定制力传感器

称重模块

仪表模块放大器