



新产品

压向传感器

拉压向传感器

压电力传感器

多维力传感器

称重传感器

扭矩传感器

其他定制力传感器

称重模块

仪表模块放大器

T326

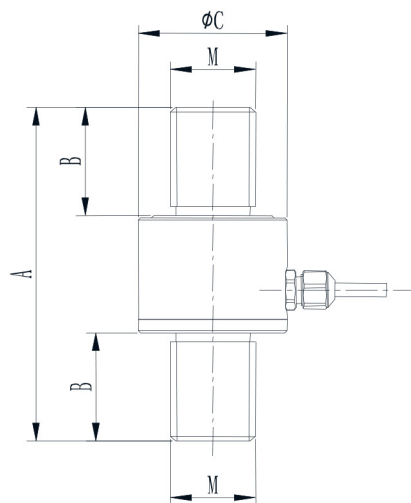


◆ 特点与用途/Features & Applications

- 高度低，变形量小，安装方便
- 拉压双向
- 主要用于推、拉力计，料斗秤，各种工业称重系统等
- 汽车压装、自动化组装、3C产品测试、新能源产品组装、医疗检测、机器人领域，模具组装

- low profile, small deflection
- Tension and compression application
- Mainly used for pull and push dynamometer, hopper scale and industrial measuring system

◆ 安装尺寸/Mounting Dimension

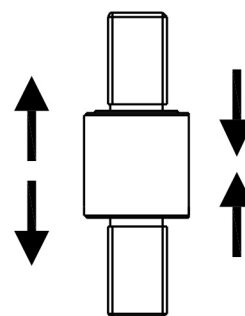


| Cap (kN) | A | B | ΦC | M | Cable |
|------------|-----|-----|-----|---------|-------|
| 10/20 | 56 | 18 | 20 | M12×1.5 | Φ3×4m |
| 30/50 | 70 | 22 | 28 | M16×2 | Φ3×4m |
| 100 | 98 | 32 | 36 | M24×2 | Φ3×4m |
| 200/300 | 145 | 45 | 52 | M36×3 | Φ4×4m |
| 500 | 260 | 85 | 82 | M64×3 | Φ5×6m |
| 1000 | 320 | 110 | 120 | M100×3 | Φ5×6m |
| 2000 | 360 | 120 | 180 | M140×4 | Φ5×6m |
| 3000 | 360 | 120 | 200 | M160×4 | Φ5×6m |

◆ 参数 Specifications 技术指标/Technique

| | | |
|--------------|-----------------------------|--|
| 额定容量 | Capacity | 10,20,30,50,100,200,300 500,1000,2000kN |
| 输出灵敏度 | Sensitivity | 1.5 ± 10% mV/V |
| 零点输出 | Zero balance | 0.05 mV/V |
| 非线性 | Non-linearity | 0.1% F.S. |
| 滞后 | Hysteresis | 0.1% F.S. |
| 重复性 | Repeatability | 0.05% F.S. |
| 蠕变 (30min) | Creep(30min) | 0.05% F.S. |
| 温度灵敏度漂移 | Temp.effect on output | 0.05% F.S./10°C |
| 零点温度漂移 | Temp.effect on zero | 0.05% F.S./10°C |
| 输入电阻 | Input impedance | 780 ± 20/385 ± 20 Ω |
| 输出电阻 | Output impedance | 700 ± 10/350 ± 10 Ω |
| 绝缘电阻 | Insulation | ≥ 5000 MΩ/100VDC |
| 激励电压 | Recommended excitation | 5~15V |
| 最大激励电压 | Maximum excitation Voltage | 20V |
| 温度补偿范围 | Compensated temp range | -10~40°C |
| 工作温度范围 | Operating temperature range | -20~70°C |
| 安全载荷 | Safe load limit | 150% F.S. |
| 破坏负载 | Breaking load | 200% F.S. |
| 材料 | Material | Alloy steel (合金钢) |
| 防护等级 | IP Class | IP66 |

◆ 受力方式/Load Direction



◆ 配线图/ Wiring Code

